

Hasung

深圳市华胜贵金属设备科技有限公司

Shenzhen Hasung Precious Metals Equipment Technology Co., Ltd

HS-GQ 熔金机

HS-GQ 1kg / 2kg / 3kg Mini Gold Melting Machine



使用说明书

User Manual

一：简介

I. Brief introduction

本机采用小功率中频感应加热方法熔炼。既有快速加热又有对金属进行电磁搅拌的功能，以获得温度与成分高度均匀的金属液。

This machine uses the smelting method of small power medium frequency induction heating, which can not only quick heat but also conduct the electromagnetic agitation to the metal, for getting the molten metal with highly even temperature and ingredient.

本机操作简单，保养方便，质量可靠，生产安全。既能用于调配黄金合金；又能用于黄金零碎散料。其不仅改变现有人工用气体熔金时产生较强噪音及产生危险性，黄金飞溅，损耗大等现象，同时，中频对人体无害。

This machine has many characteristics like simple operation, convenient maintenance, dependable quality and safe production. It can be used not only in the fragmentary bulk gold as well as in mixing the gold alloy. It changes the phenomenon such as strong noise, risk, gold splashing, big loss and so on when existing artificial gas melts gold, simultaneously, the intermediate frequency is harmless to the body.

二：技术参数**II. Technical parameter**

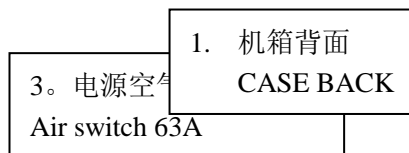
电 源	220V/50/60Hz
输出功率	约 0-6KW
熔炼金属	黄金、K 金、银、铜等
最大容量	2kg
熔炼时间	1~2 分钟
最高温度	1600 度
冷却水源	自来水/水冷机
外形尺寸	62x36x34cm
机身重量	约 30 kg

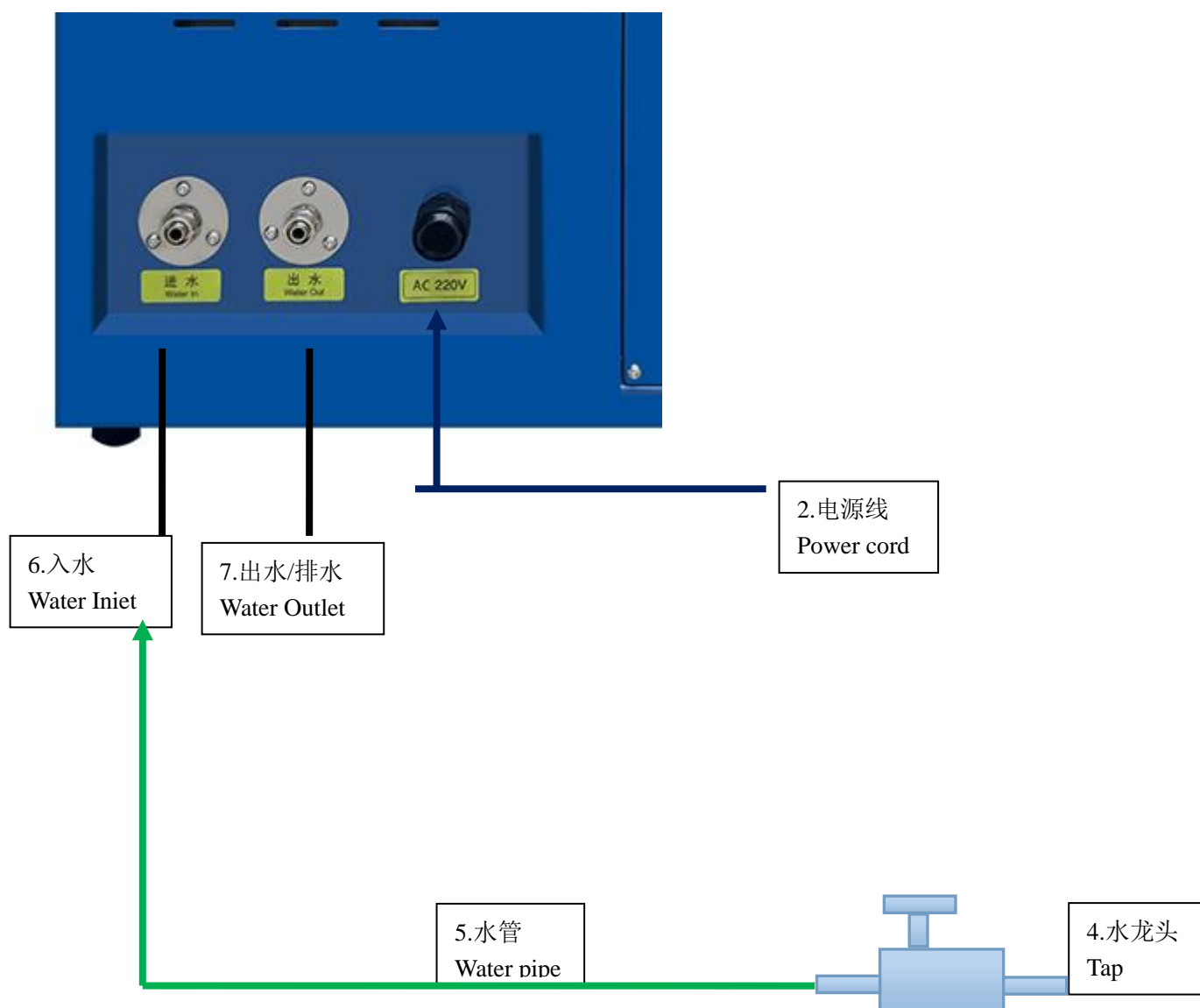
Power Source	220V/50/60Hz/ single-phase
Output Power	0-6KW
Smelting metal	Gold, K Gold, Silver, Copper, etc.
Maximum capacity	2kg
Smelting time	1~2 minutes
Maximum temperature	1600°C
Cooling water	Running water/water cooling machine
Dimensions	62x36x34cm
Weight	approx. 30kg

三：安装**III. Installation**

按机箱所示正确连接水、电（如下图）

Connect water and electricity correctly according to the case (shown as in the following figure).

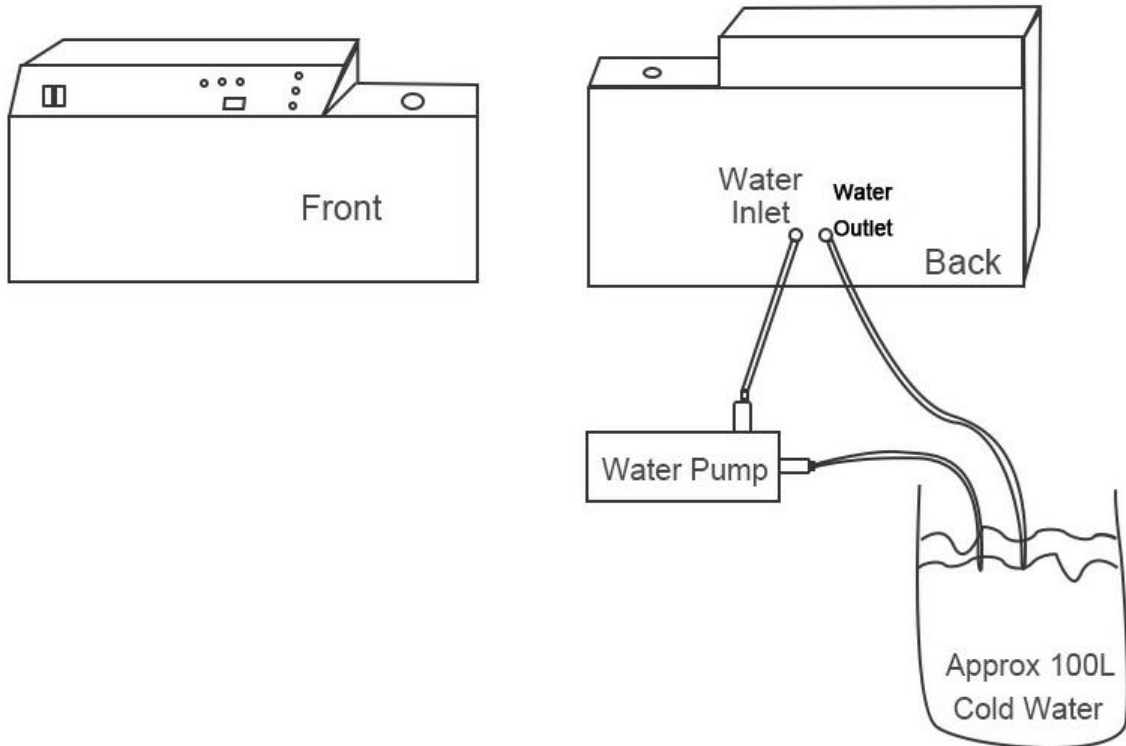




①机箱背面	①Case back
②电源接口	②Power cord
③电源空气开关 63A	③Air switch
④水龙头	④Tap
⑤水管	⑤Water pipe
⑥入水	⑥Water inlet

⑦出水	⑦Water outlet
-----	---------------

Drawings for connections for your reference:



四：操作

IV. Operation

打开电源 \implies 打开水龙头 \implies 放熔金杯 \implies

放料 \implies 按加热开关 \implies 按停止开关 \implies 钳杯倒料

Power on \implies Turn on tap \implies Put gold-melting cup

\implies Feed \implies Press heat switch \implies Press stop switch

\implies Pouring liquids

五：注意事项

V. Precautions

- 1、在工作时，绝不能断水。
[如意外断水，应立刻把熔金杯拿走，以防烧坏发热圈]
While working, it is strictly prohibited to cut off the water supply (If the water supply is cut, you should take melting crucible away immediately, to prevent the heating coil burning out/damaged).
- 2、熔金机里没有熔金杯不能按加热开关。
Do not press the heat switch if there is no melting crucible in the machine.
- 3、料熔化后，应先按停止开关再倒料出来。
After melting material, you should press the “stop” switch and then pouring out the material.
- 4、如当天的工作完成了，应把熔金杯拿开，再运转 15 分钟冷却机器，再关电源、水源。
If completing the intraday work, you should take out melting crucible, and run it for 5 minutes to cool machine, turn power source and water source off.
- 5、请用本厂专用熔金杯。
Please use special melting crucible of our factory.

装 箱 单 Packing List

配件（工具 Parts）	Unit	QTY	备注
HS-GQ Melting Machine	pcs	1	
1kg or 2Kg Graphite Crucible	pcs		
Ceramic crucible cover	pcs		



深圳市华胜贵金属设备科技有限公司

Shenzhen Hasung Precious Metals Equipment Technology Co., Ltd

Ceramic crucible for Pt	pcs	1	
Tong	pcs	1	
水管	pcs	1	
说明书	pcs	1	